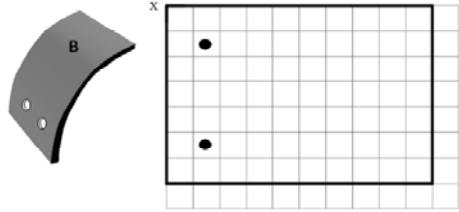
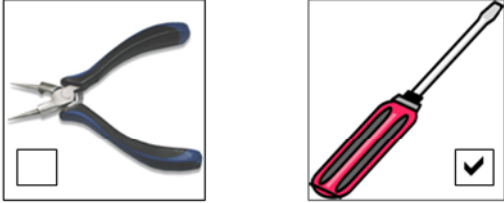
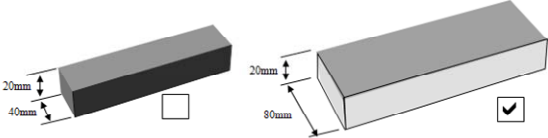
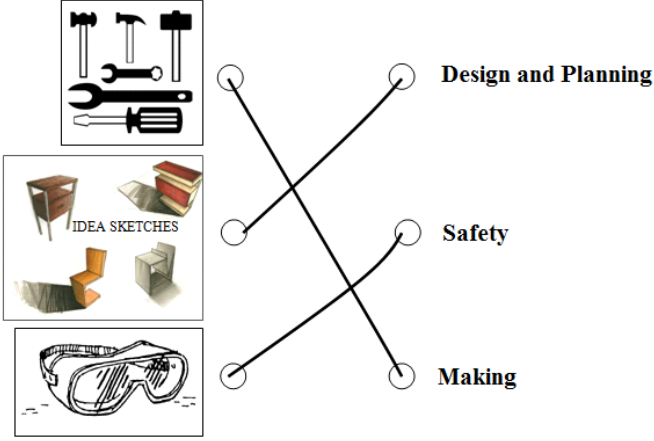


**Annual Examinations for Secondary Schools 2015**

**FORM 3 SCIENCE/DESIGN & TECHNOLOGY MARKING SCHEME**

<i>Question</i>			<i>Answer</i>	<i>Mark</i>
1			A: flower	1
			B: leaf	1
2			1-5-4-2-3	0.5 x 4 = 2
3	a		snail	1
	b		frog	1
	c		chameleon	1
4			Give birth to their young	0.5
			Body covered with fur	0.5
5			Woodlice roll into a ball to - protect themselves from danger.	1
			Birds migrate to - find warmer places and food.	1
6	a		solid	1
	b		liquid	1
	c		gas	1
	d		solution	1
	e		evaporation to dryness	1
7	a		metal	1
	b		natural	1
	c		synthetic	1
	d		bad	1
	e		because copper is more expensive than steel	1

8	a	<p>Allocate 1 mark for drawing a suitable rectangle in place and 1 mark if the size and lines are accurate.</p> 	1 x 2 = 2
	b		1
	c	<p>i</p> 	1
		<p>ii Students should mention the width or size</p>	1
9	a	handle	1
	b	blade	1
10			1 x 3 = 3
		<b>TOTAL</b>	<b>30 marks</b>