

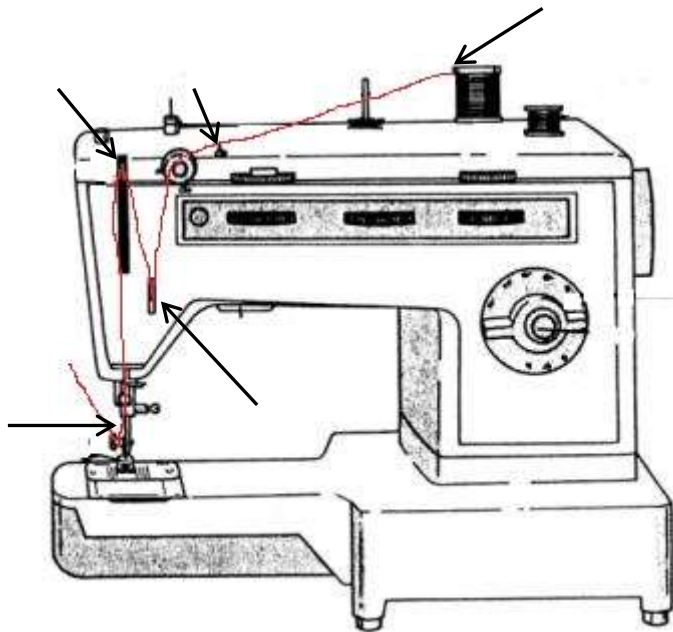
Annual Examinations for Secondary Schools 2014

FORM 1

TEXTILES STUDIES

MARKING SCHEME

1. a)



(Level 6: 1 mark x 5 = 5 marks)

- b. i) feed dog      ii) pressure foot      iii) stitch width selector      iv) tension disc  
v) pressure foot lever

(Level 7: 1 mark x 5 = 5 marks)

c) Fault 1: Thread breaking

(Level 7: 1 mark)

Possible cause for fault 1:

Accept any one of:

- Needle may be set incorrectly
- Needle may be blunt or bent
- Tension may be too tight
- The machine may not be threaded correctly.

(Level 8: 2 marks)

Fault 2: Missing stitches

(Level 7: 1 mark)

Possible cause for fault 2:

Accept any one:

- Needle may be too fine for thread used
- The needle is not accurately set
- The needle is blunt or bent

(Level 8: 2 marks)

2. a) *One of the following:*

i) **Wool**

ii) Source: sheep

(Level 6: 1 mark)

iii) Properties:

*Four of:*

- Warm to wear
- Stretchable
- Does not crease
- Very absorbent
- Hardwearing (strong).

*Accept any other suitable answers.*

(Level 7: 1 mark x 4 = 4 marks)

iv) *Two uses from:* scarves, coats, gloves, trousers, hats, carpets.

*Accept any other suitable answers.*

(Level 7: 1 mark x 2 = 2 marks)

*or*

i) **Linen**

ii) Source: flower flax

(Level 6: 1 mark)

iii) Properties:

*Four of:*

- Very strong. Stronger than cotton.
- Stronger when wet
- Creases badly
- Very absorbent
- Dyeable
- Frays
- Can be attacked by mildew.

*Accept any other suitable answers.*

(Level 7: 1 mark x 4 = 4 marks)

iv) *Two uses from:* trousers, dresses, bags, curtains, scarves.

*Accept any other suitable answers.*

(Level 7: 1 mark x 2 = 2 marks)

*or*

i) **Silk**

ii) Source: cocoon

(Level 6: 1 mark)

iii) Properties:

*Four of:*

- Smooth
- Lustre
- Strong
- Absorbent
- Cool in summer and warm in winter

*Accept any other suitable answers.*

(Level 7: 1 mark x 4 = 4 marks)

iv) *Two uses from:* scarves, evening dress, suits, dresses, bags, shoes.  
*Accept any other suitable answers.* (Level 7: 1 mark x 2 = 2 marks)

*or*

i) **Cotton**  
ii) Source: cotton boll (Level 6: 1 mark)

iii) Properties:

*Four of:*

- Hardwearing
- Cheap
- Dyeable
- Very absorbent
- Badly creases
- Shrinks.

*Accept any other suitable answers.* (Level 7: 1 mark x 4 = 4 marks)

iv) *Two uses from:* clothes, curtains, kitchen wear.  
*Accept any other suitable answers.* (Level 7: 1 mark x 2 = 2 marks)

b) i) Cotton (Level 7: 1 mark)

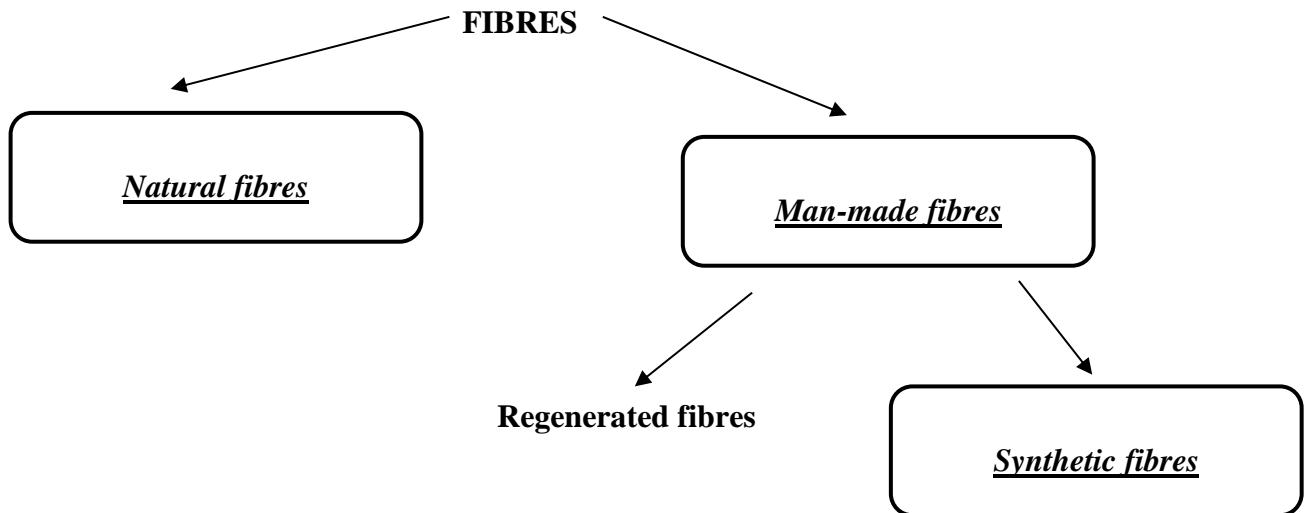
ii) Cotton was used for household use and textile garments. (Level 7: 1 mark)

c) Circle the correct symbol for linen.



(Level 5: 1 mark)

d)



(Level 6: 1 mark x 3 = 3 marks)

e) Any two from:

- Reuse textile items for other purposes,
- Make new textile items from old ones,
- Donate textile items to charity shops,
- Give clothes to siblings or other family members.

Accept any other suitable answers.

(Level 7: 1 mark x 2 = 2 marks)

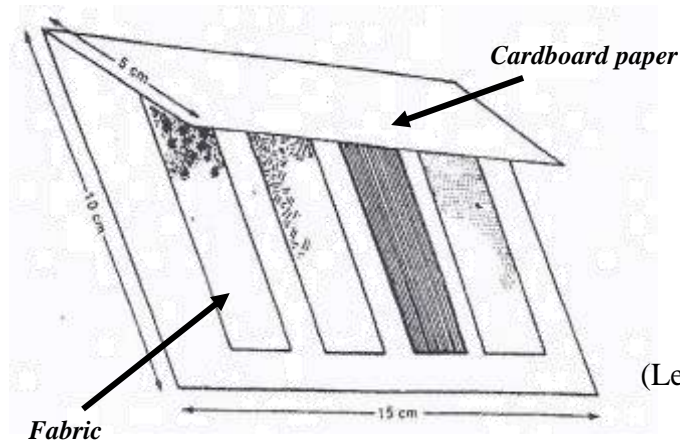
3. a) Sunlight resistance test

(Level 7: 1 mark)

b) The aim of this test is to see the effect of sunlight on fabric over time.

(Level 7: 1 mark)

c)



(Level 7: 1 mark x 2 = 2 marks)

d)

- Cut cardboard and bend 5cm as shown.
- Cut samples of fabric 2cm x 8cm.
- Staple the fabrics to the cardboard as shown.
- Expose to sunlight for about 2-3 weeks.

(Level 7: 1 mark x 4 = 4 marks)

e) i. Natural fibres are more absorbent than man-made fibres, since man-made fibres are hydrophobic and absorb less water. (Level 8: 2 marks)

4. a) i. Wash the fabric.  
ii. Choose a method of tying.  
iii. Prepare the dye as directed by the manufacturer.  
iv. Put the dye in boiling water. Add salt.  
v. Put the fabric in the dye solution for 30 minutes in boiling water.  
vi. Leave to soak for 2 hours, and rinse until water is clear.

(Level 7: 1 mark x 3 = 3 marks)

b) *Any two from:* Pegs, marbles, bulldog clips, string, pebbles.

*Accept any other suitable answers.*

(Level 6: 1 mark x 2 = 2 marks)

c) *Accept relevant and suitable explanation for each item mentioned above.*

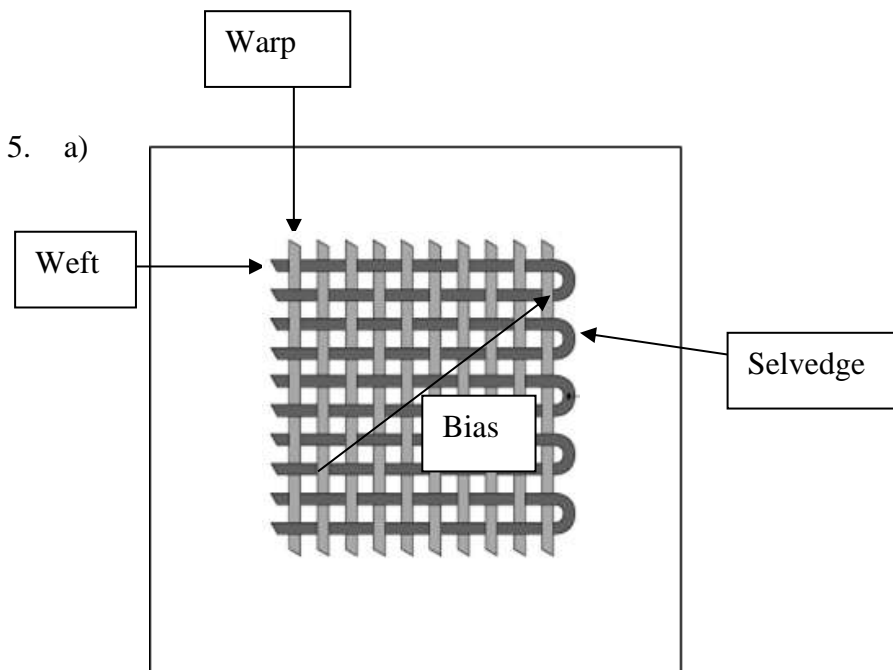
(Level 8: 2 marks x 2 = 4 marks)

d) *Give ½ mark for each correct drawing of embroidery stitch.*

(Level 5: ½ mark x 3 = 1½ marks)

*Give ½ mark for each correctly named embroidery stitch.*

(Level 7: ½ mark x 3 = 1½ marks)



(Level 6: 1 mark x 4 = 4 marks)

b) The Bias

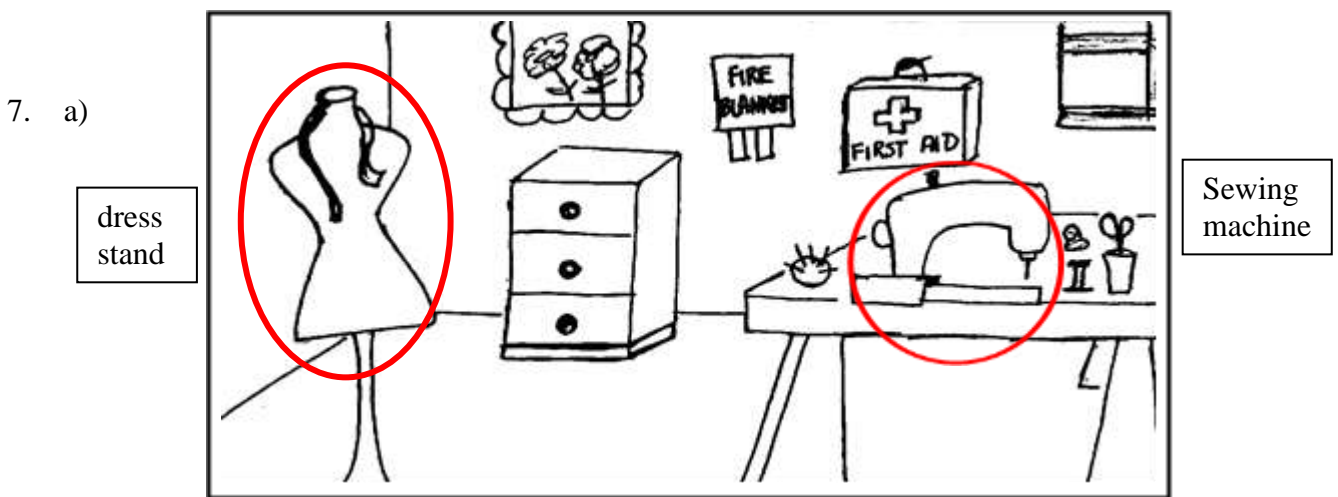
(Level 7: 1 mark)

c) *One of:* Denim, broadcloth, gingham, gabardine.

*Accept any other suitable answers.*

(Level 7: 1 mark)

6. a) Students must invent a name for their business. (Level 7: 1 mark)
- b) Students must design two formal outfits for the winter season. The outfits should be suitable for office work. Give credit to good design, suitability, neatness and creativity (Level 7: 4 x 1 = 4 marks)
- c) Students must colour the design carefully. (Level 5: 1 mark x 2 = 2 marks)
- d) Students must draw shoes and accessories for each outfit. (Level 6: 1 mark x 4 = 4 marks)
- e) Students should label two style features for each outfit. (Level 7: 1 mark x 4 = 4 marks)



(Level 5: 1 mark x 2 = 2 marks)

b)

Name	Use
First aid box	It holds things which are used to give first help in case of emergency.
Fire blanket	It is like a large blanket made from fire-resistant material, used to smoothen out fire.

(Level 7: 1 mark x 2 = 2 marks)

- c) Students must create a creative, innovative poster including three safety rules to be followed during the Textiles lesson in the Textiles room.

Give 3 marks for the drawing.

(Level 5: 3 marks)

Give 3 marks for the safety rules.

(Level 7: 1 mark x 3 = 3 marks)

8. a) Students must draw a Christmas stocking.

*Give 1 mark for colouring.*

(Level 5: 1 mark)

*Give 4 marks for good design and creativity.*

(Level 7: 1 mark x 4 = 4 marks)

- b) *Give 2 marks for naming the stitches.*

(Level 7: 1 mark x 2 = 2 marks)

- c) - Hand stitching (running stitch, blanket stitch)  
- Machine stitching (Level 7: 1 mark x 2 = 2 marks)
- d) Applique means applying one fabric on top of another. (Level 7: 1 mark)
- e) *Any two of:* sequins, beads, buttons, bows. *Accept any other relevant item.*  
(Level 6: 1 mark x 2 = 2 marks)
- f)
- Layout pattern on fabric.
  - **Mark the pattern.**
  - Cut out the stocking.
  - **Work applique or embroidery.**
  - Attach two sides.
  - **Make loop.**
  - **Iron carefully.**
  - Attach final decorations. (Level 7: 1 mark x 4 = 4 marks)