

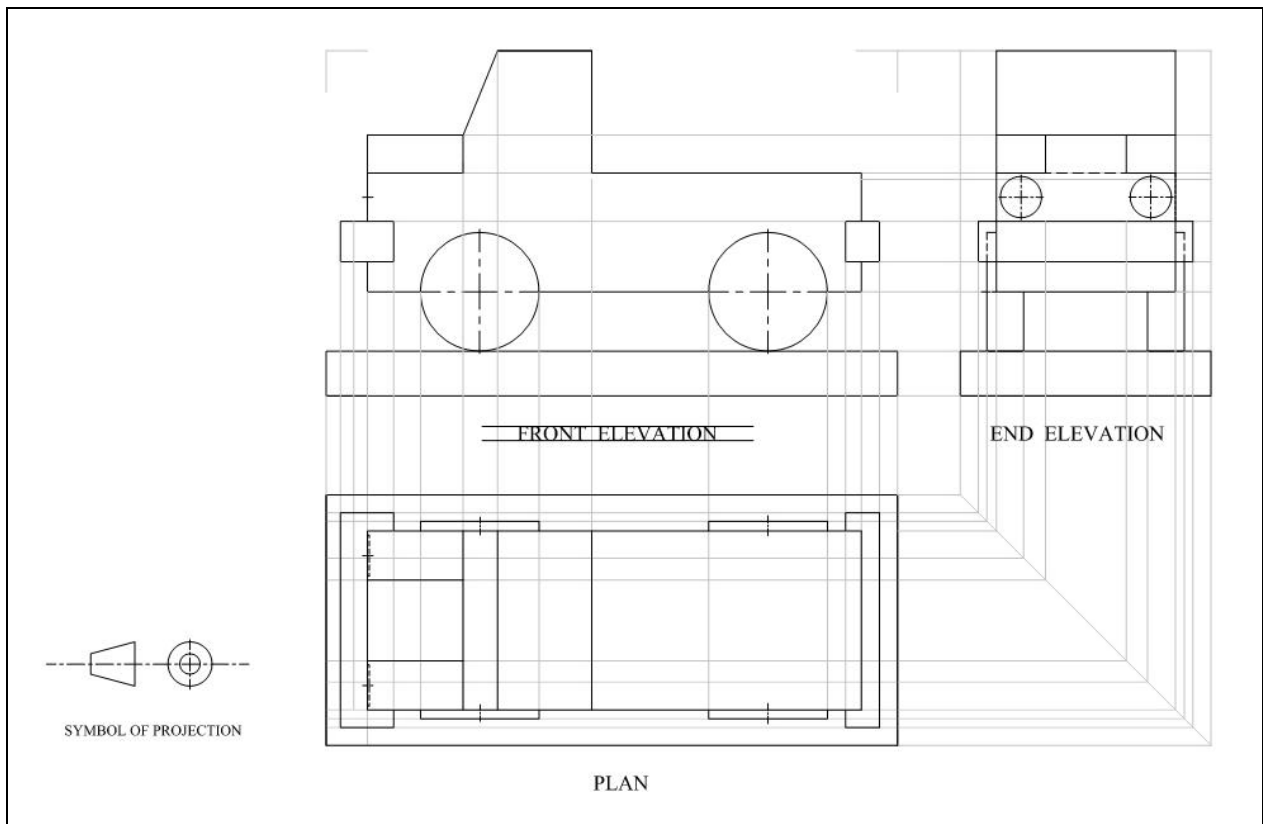


**Annual Examinations for Secondary Schools 2014**

**FORM 3 (1<sup>st</sup> yr) GRAPHICAL COMMUNICATION MARKING SCHEME**

**Question No. 1 Orthographic Projection**

projecting necessary lines from the end view and plan	1	
drawing the platform	1	
drawing the wheels	2	
drawing the cabin and bonnet	2	
drawing the bumpers	2	
completing the drawing	2	
correct printing of "FRONT ELEVATION" in block letters	1	
1 <sup>st</sup> angle orthographic projection symbol	2	
presentation / neatness and accuracy	1	
<b>Total marks for question No. 1</b>		<b>14</b>



**Question No. 1**

Question No. 2

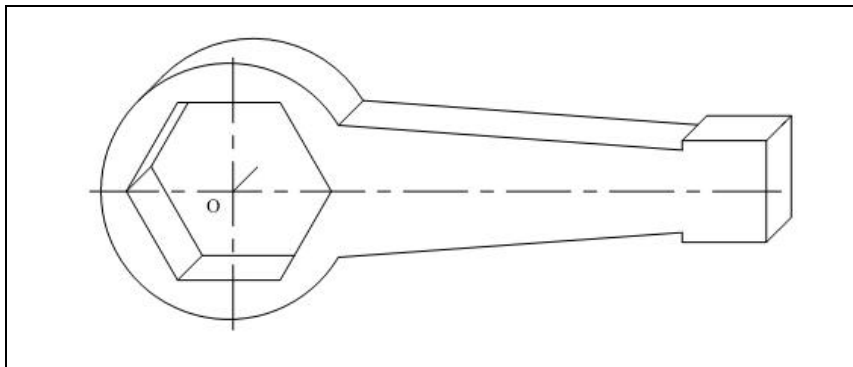
**Oblique Projection**

drawing the regular hexagon	3	
completing the face of the spanner	3	
drawing the depth of the spanner at 45° and at half the thickness	6	
deduct 4 marks if thickness is not halved or angle is not 45°		
presentation / neatness and accuracy	2	
<b>Total marks for question No. 2</b>		<b>14</b>

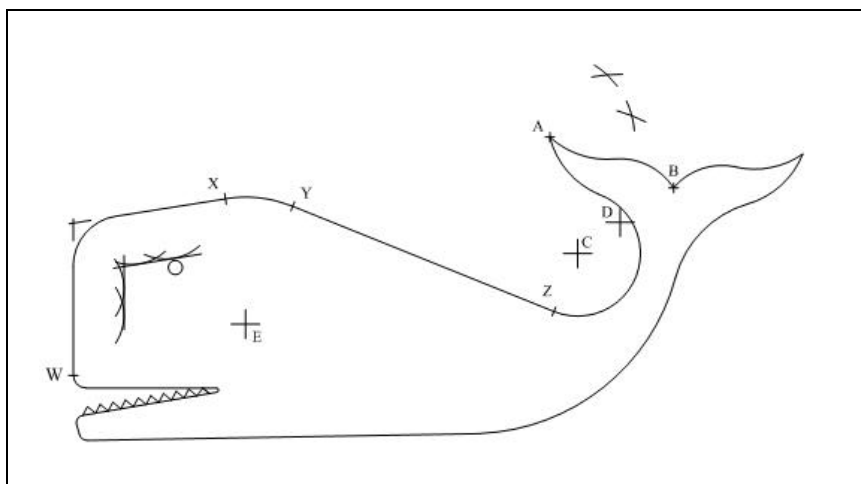
Question No. 3

**Circles in Contact**

drawing the R15 arc with centre C	1	
drawing arc from centre D	1	
locating the centre and drawing the top R20 arc	3	
locating the centre and drawing the other R20 arc	3	
drawing the R30 arc from centre E	1	
locating the centre and drawing the R12 arc	3	
completing the drawing and showing the points of tangency	1	
presentation / neatness and accuracy	1	
<b>Total marks for question No. 3</b>		<b>14</b>



Question No. 2



Question No. 3

Question No. 4

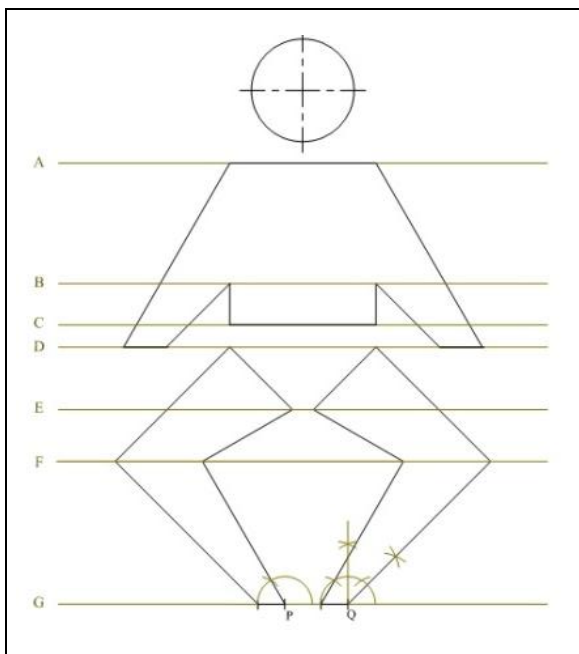
**Construction and Drawing of Angles**

constructing the angle of 60° at P	3	
constructing the angle of 45° at Q	3	
completing the two legs	3	
drawing the chest and the two arms	3	
drawing the head	1	
presentation / neatness and accuracy	1	
<b>Total marks for question No. 4</b>		<b>14</b>

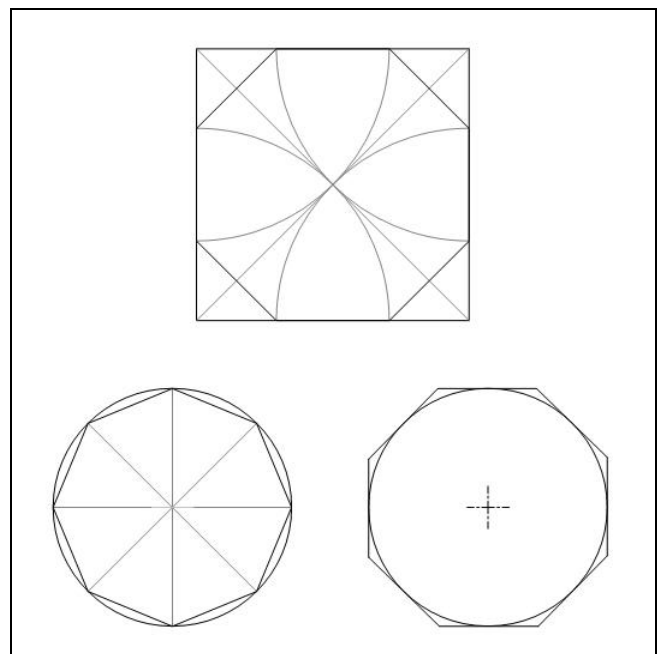
Question No. 5

**The Octagon**

construction of the octagon in the given square	4	
proper construction of the octagon in the given circle	3	
drawing the octagon around the given circle	3	
presentation / neatness and accuracy	2	
<b>Total marks for question No. 5</b>		<b>12</b>



Question No. 4



Question No. 5

Question No. 6

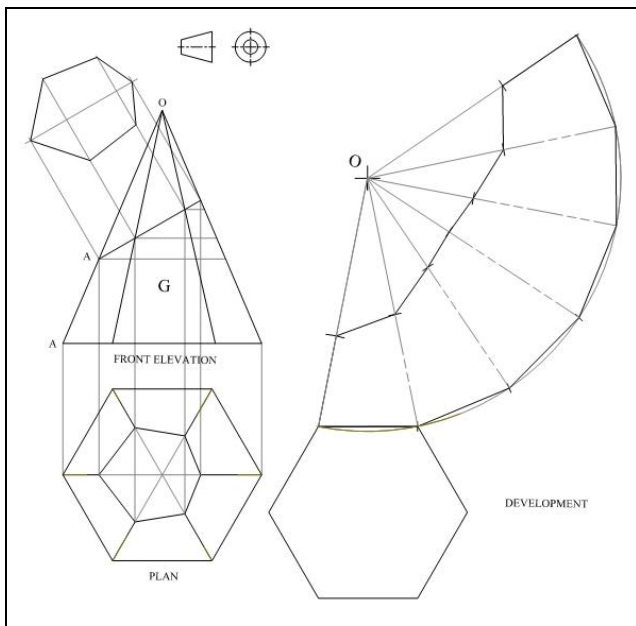
**Truncated Pyramids**

completing the diagonals in the plan	1	
projecting lines from the front view	1	
completing the plan	2	
drawing the arc with O-A1 as radius	1	
drawing the six divisions on the arc	2	
completing the development without the hexagonal base	5	
drawing the hexagonal base	2	
presentation / neatness and accuracy	2	
<b>Total marks for question No. 6</b>		<b>16</b>

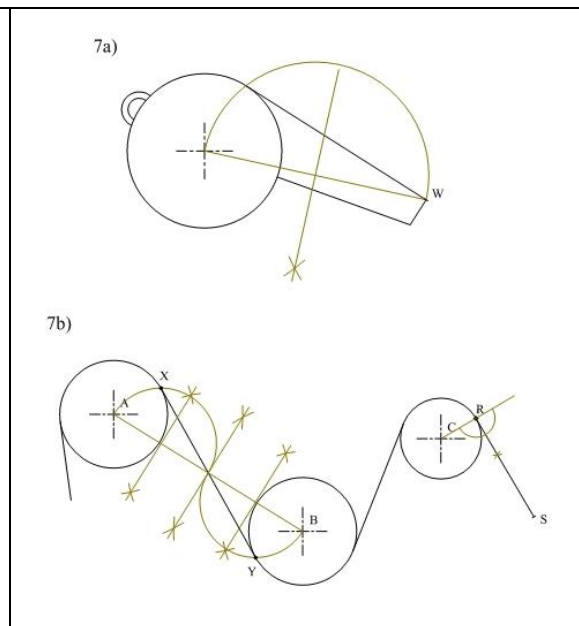
Question No. 7

**Tangents**

a) constructing the tangent from W to the circle	4	
b) constructing the tangent between the two equal circles	6	
constructing the tangent at R	4	
presentation / neatness and accuracy	2	
<b>Total marks for question No. 7</b>		<b>16</b>



Question No. 6



Question No. 7