

**Annual Examinations for Secondary Schools 2020**

**YEAR 10      GRAPHICAL COMMUNICATION      MARKING SCHEME**

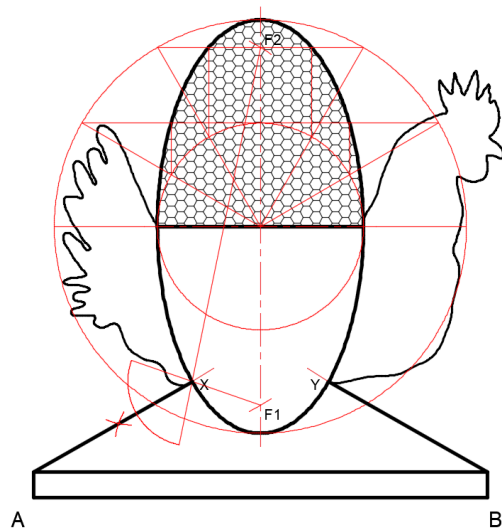
**Question No. 1                                  Ellipse**

Constructing the ellipse using any recognised method	8	
Finding and marking the two Foci	2	
Constructing the Normal at X	4	
Reflecting the Normal at Y	1	
Finishing of the base	1	
Overall accuracy and neatness	2	
Total marks for question No. 1		<b>18</b>

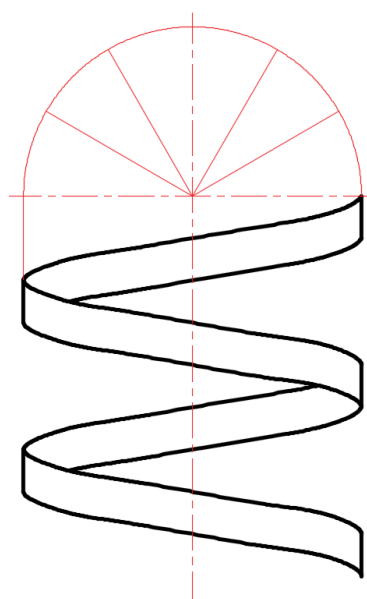
**Question No. 2                                  Helix**

Drawing the semi-circle and dividing it with 30°/60° divisions	2	
Dropping generators from the 30°/60° divisions	1	
Dividing the Lead into 12 equal parts	2	
Marking points and drawing the first line helix	4	
Drawing the second line helix 15mm away	3	
Finishing off the drawing	1	
Overall accuracy and neatness	2	
Total marks for question No. 2		<b>15</b>

Question No. 1



Question No. 2



**Question No. 3**

**Polar Reduction**

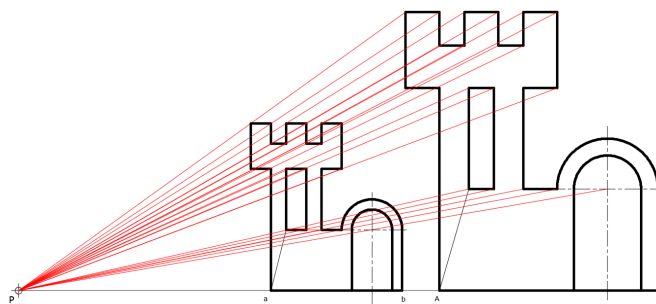
Drawing generators from pole P toward the given drawing	2	
Drawing the outline of the castle according to size a-b	3	
Constructing link to find the size of the arched doorway	2	
Lining in the arched doorway	2	
Constructing link to find the size of the rectangular window	2	
Lining in the rectangular window	2	
Overall accuracy and neatness	2	
Total marks for question No. 3		<b>15</b>

**Question No. 4**

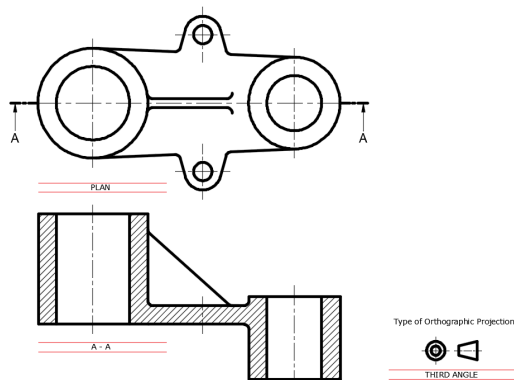
**Sectioning**

Completing the left cylinder	1	
Completing the right cylinder	1	
Completing the web	1	
Hatching the sectioned material except the web	4	
Drawing the three centre lines	1	
Labelling both views	2	
Rendering Fig.4	3	
Labelling the type of orthographic view	1	
Overall accuracy and neatness	2	
Total marks for question No. 4		<b>16</b>

**Question No. 3**



**Question No. 4**



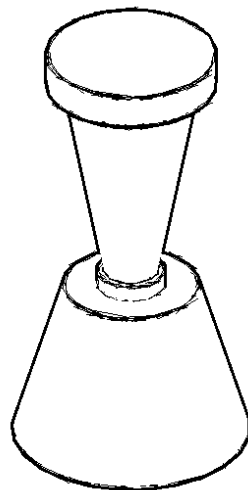
**Question No. 5****Assembly**

Drawing at least one freehand sketch of the assembled blender	5	
Drawing a well-proportioned freehand pictorial of the assembled blender	9	
Overall accuracy and neatness	2	
Total marks for question No. 5		<b>16</b>

**Question No. 6****Perspective**

Drawing a well-proportioned crate in two-point perspective	5	
Drawing the left-hand side of base including chamfers	3	
Drawing the right-hand side of base including chamfers	3	
Drawing the middle column that supports the screen	4	
Drawing the screen	3	
Overall accuracy and neatness	2	
Total marks for question No. 6		<b>20</b>

Question No. 5



Question No. 6

