

Annual Examinations for Secondary Schools 2020

YEAR 9	GRAPHICAL COMMUNICATION	MARKING SCHEME
---------------	--------------------------------	-----------------------

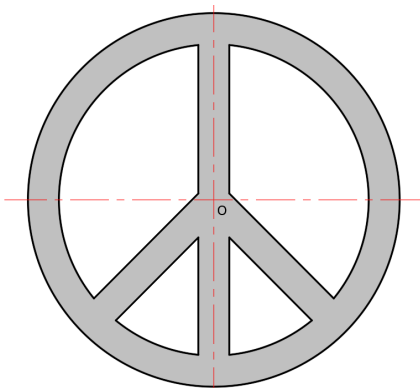
Question No. 1 **Geometry**

Drawing the R60 circle	1	
Drawing the R50 circle	1	
Marking and drawing the two vertical separators	2	
Drawing the two 45° lines on the right	2	
Drawing the two 45° lines on the left	2	
Applying shading	2	
Overall accuracy and neatness	2	
Total marks for question No.1		12

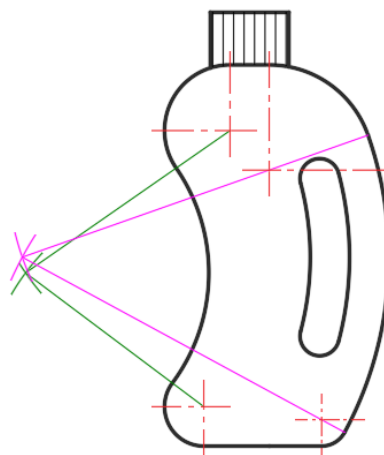
Question No. 2 **Circles in contact**

Drawing the R40 circle	1	
Drawing the R10 circle	1	
Drawing the R15 circle	1	
Drawing the R25 circle	1	
Constructing the R70 centre	3	
Drawing the R70 arc	2	
Constructing the R140 centre	3	
Drawing the R140 arc	2	
Overall accuracy and neatness	2	
Total marks for question No. 2		16

Question No. 1



Question No. 2



Question No. 3

Orthographic projection

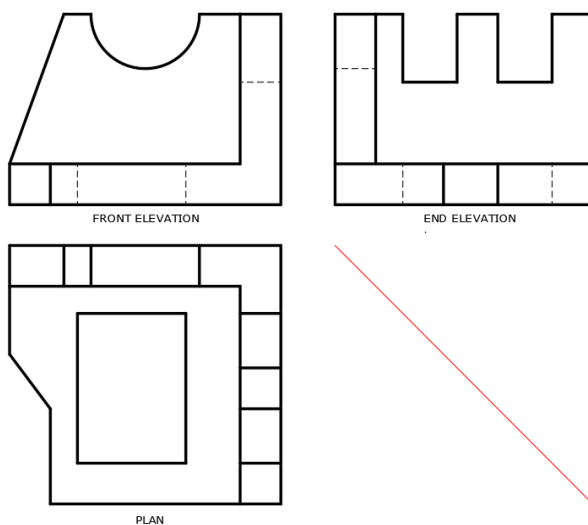
Front Elevation:		
Drawing the inverted L-shape on the right	2	
Drawing the semi-circle	1	
Drawing the slanting line on the left	1	
Drawing the square on the bottom left	1	
Drawing the three hidden details	3	
Plan:		
Drawing the right five-sectioned part	3	
Drawing the top four-sectioned part	2	
Completing the right side and bottom outline	3	
Drawing the central rectangle	1	
Overall accuracy and neatness	1	
Total marks for question No. 3		18

Question No. 4

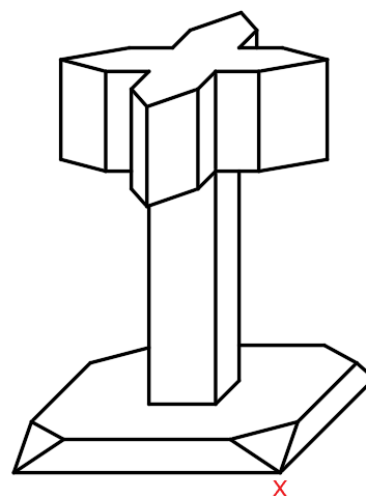
Oblique

Drawing the bottom platform without the four chamfers	1	
Adding the four chamfers to the platform	4	
Drawing the central pillar	2	
Drawing the outline of the top pointed cross	6	
Drawing the downward width of the pointed cross	3	
Overall accuracy and neatness	2	
Total marks for question No. 4		18

Question No. 3



Question No. 4



Question No. 5

Polygons and circumscribed circles

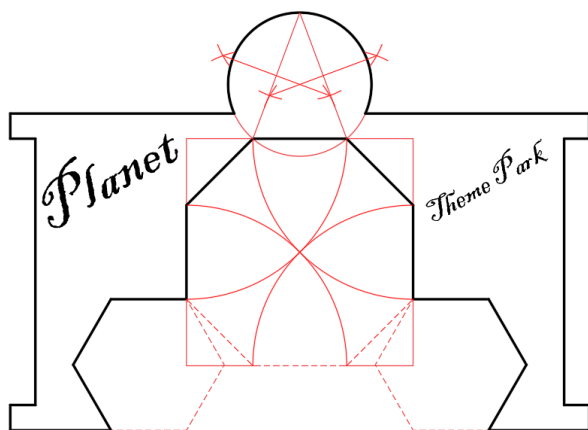
Constructing the octagon in a square	4	
Finding the centre of the circumscribed circle by construction	3	
Drawing the circle to touch the three vertices	2	
Drawing the right hexagon	2	
Drawing the left hexagon	2	
Outlining the proper drawing	1	
Overall accuracy and neatness	2	
Total marks for question No. 5		16

Question No. 6

Truncated prism and truncated cylinder

End elevation:		
Constructing the ellipse	4	
Constructing the octagon	3	
Finishing off the bottom part	1	
Hidden detail	2	
True shape:		
Marking the widths of the ellipse	3	
Lining in the ellipse with a smooth curve	2	
Marking and drawing the true shape of the octagon	3	
Overall accuracy and neatness	2	
Total marks for question No. 6		20

Question No. 5



Question No. 6

